

PRIOX

DIRTY WATER DRENA-LINE

- Automatic airventing
- Completely in stainless steel
- Large free passage
- Reliable vortex impeller
- Powerful pump
- Wide range



DESCRIPTION

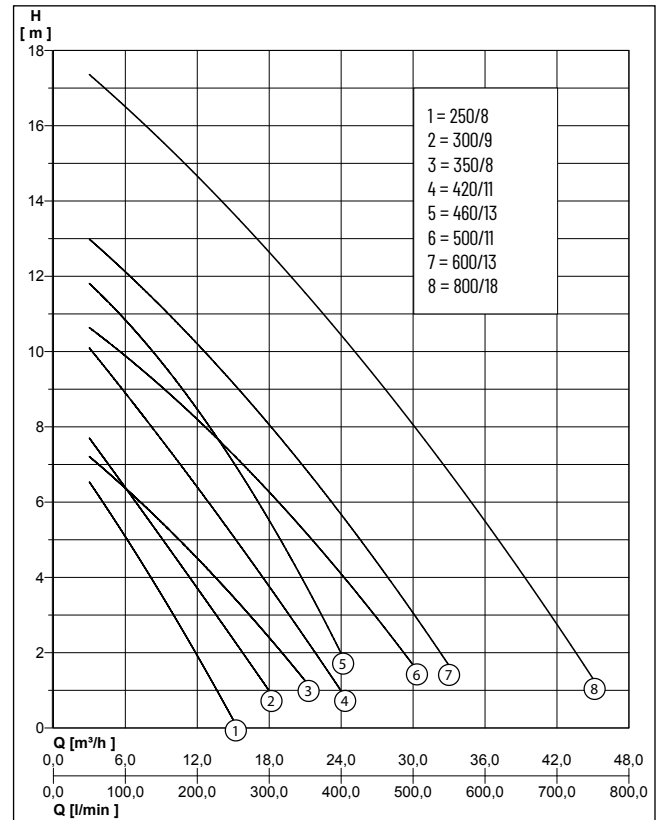
The PRIX series pumps are made completely with stainless steel AISI 304. They operate completely immersed in the liquid to be pumped, which provides for the cooling of the motor from the outside. Made with a retreated impeller on the principle of vortex operation. Automatic version (AUT) equipped with float switch.

Minimum drying level 60 mm (in manual version).

APPLICATIONS

- All lifting and emptying operations of dirty water with suspended solids.
- Lifting stations with one or more pumps for agricultural and civil use.

PERFORMANCE



| Type | Delivery head H [m] | 2 | 3 | 4 | 5 | 6 | 7 | 8 | 9 | 10 | 11 | 12 | 14 | 16 |
|--------------------|---------------------|------|------|------|------|------|------|------|------|------|------|------|------|-----|
| PRIX 250/8 M | Flow rate Q [m³/h] | 11.8 | 10.0 | 8.2 | 6.2 | 4.2 | 2.0 | | | | | | | |
| PRIX 300/9 M/T | | 15.6 | 13.5 | 11.6 | 9.0 | 6.8 | 4.7 | 2.7 | | | | | | |
| PRIX 420/11 M/T | | 21.5 | 19.6 | 17.8 | 15.5 | 13.0 | 10.5 | 8.1 | 5.7 | 3.5 | | | | |
| PRIX 460/13 M/T | | | 22.4 | 20.6 | 18.9 | 17.0 | 15.1 | 13.8 | 10.8 | 8.2 | 5.5 | | | |
| PRIX 50-350/8 M/T | | | 16.5 | 13.5 | 10.5 | 7.1 | 3.7 | | | | | | | |
| PRIX 50-500/11 M/T | | 29.1 | 26.8 | 24.3 | 21.5 | 18.8 | 15.8 | 12.5 | 9.0 | 5.5 | | | | |
| PRIX 50-600/13 T | | 32.1 | 30.0 | 28.0 | 25.5 | 23.2 | 20.5 | 18.2 | 15.1 | 12.5 | 9.7 | 6.3 | | |
| PRIX 50-800/18 T | | | | 39.0 | 36.9 | 34.8 | 31.0 | 30.0 | 27.5 | 25.0 | 22.8 | 19.9 | 14.0 | 7.8 |

PRIOX

DIRTY WATER DRENA-LINE

MECHANICAL DATA

| | | | |
|--------------|---|--------------------------------|---|
| Bearing | Self-lubricating ball bearings. | Submersible | Yes |
| Oil chamber | Yes | Mechanical seal | Silicon carbide. Lubricated in oil chamber. |
| Shaft | Stainless steel | Counterface | Silicon carbide. Lubricated in oil chamber. |
| Impeller | Stainless steel X5CrNi18-10 (AISI 304) | Type of liquid | discharge water with solids |
| Pump housing | Stainless steel Europe: EN10088-1 X 5 CrNi 1810 (1.4301) USA: AISI 304 | Temperature of the liquid max. | 40 °C |
| | | Diving depth | 7 m |

ELECTRICAL DATA

| | | | |
|-------------------|-------------|------------------|----------|
| Power line | 10m H07RN-F | Insulation class | F |
| Type of enclosure | IP 68 | Rotation speed | 2850 rpm |

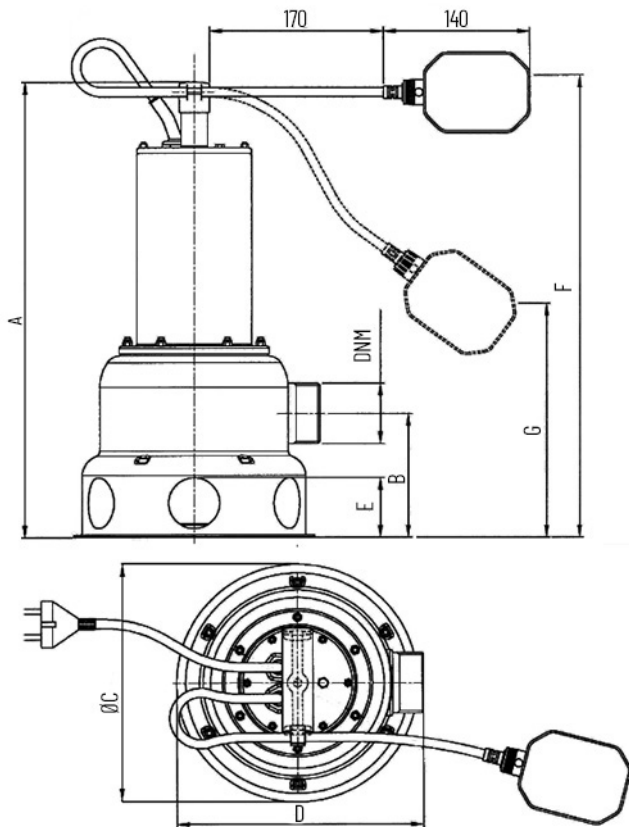
PRIOX

| Type | Code No. | Voltage | Motor rating | | Current | Free pas- sage | Weight |
|-----------------------|-----------------|--------------|--------------|---------|---------|-------------------|---------|
| | | | P1 | P2 | | | |
| PRIOX 250/8 M | N2110100 | 1/N/PE~230 V | 0.80 kW | 0.55 kW | 3.60 A | 40 mm | 9.4 kg |
| PRIOX 250/8 M AUT | N2110110 | 1/N/PE~230 V | 0.80 kW | 0.55 kW | 3.60 A | 40 mm | 9.4 kg |
| PRIOX 300/9 M | N2110040 | 1/N/PE~230 V | 0.90 kW | 0.60 kW | 4.10 A | 40 mm | 9.6 kg |
| PRIOX 300/9 M AUT | N2110050 | 1/N/PE~230 V | 0.90 kW | 0.60 kW | 4.10 A | 40 mm | 9.6 kg |
| PRIOX 300/9 T | N2110090 | 3/N/PE~400 V | 0.90 kW | 0.60 kW | 1.55 A | 40 mm | 9.6 kg |
| PRIOX 420/11 M | N2110020 | 1/N/PE~230 V | 1.30 kW | 0.90 kW | 6.00 A | 40 mm | 11.2 kg |
| PRIOX 420/11 M AUT | N2110030 | 1/N/PE~230 V | 1.30 kW | 0.90 kW | 6.00 A | 40 mm | 11.2 kg |
| PRIOX 420/11 T | N2110080 | 3/N/PE~400 V | 1.30 kW | 0.90 kW | 2.30 A | 40 mm | 11.2 kg |
| PRIOX 460/13 M | N2110000 | 1/N/PE~230 V | 1.60 kW | 1.10 kW | 7.20 A | 40 mm | 11.7 kg |
| PRIOX 460/13 M AUT | N2110010 | 1/N/PE~230 V | 1.60 kW | 1.10 kW | 7.20 A | 40 mm | 11.7 kg |
| PRIOX 460/13 T | N2110070 | 3/N/PE~400 V | 1.45 kW | 1.00 kW | 2.40 A | 40 mm | 11.7 kg |
| PRIOX 50-350/8 M | N2110140 | 1/N/PE~230 V | 1.00 kW | 0.65 kW | 3.80 A | 50 mm | 9.6 kg |
| PRIOX 50-350/8 M AUT | N2110150 | 1/N/PE~230 V | 1.00 kW | 0.65 kW | 3.80 A | 50 mm | 9.6 kg |
| PRIOX 50-350/8 T | N2110160 | 3/N/PE~400 V | 0.98 kW | 0.65 kW | 1.70 A | 50 mm | 9.6 kg |
| PRIOX 50-500/11 M | N2110170 | 1/N/PE~230 V | 1.55 kW | 1.00 kW | 7.00 A | 50 mm | 11.7 kg |
| PRIOX 50-500/11 M AUT | N2110180 | 1/N/PE~230 V | 1.55 kW | 1.00 kW | 7.00 A | 50 mm | 11.7 kg |
| PRIOX 50-500/11 T | N2110190 | 3/N/PE~400 V | 1.40 kW | 1.00 kW | 2.40 A | 50 mm | 11.7 kg |
| PRIOX 50-600/13 T | N2110060 | 3/N/PE~400 V | 1.80 kW | 1.20 kW | 3.10 A | 50 mm | 12.6 kg |
| PRIOX 50-800/18 T | N2110130 | 3/N/PE~400 V | 3.00 kW | 2.40 kW | 5.50 A | 50 mm | 20.2 kg |

PRIOX

DIRTY WATER DRENA-LINE

PRIOX AUT



DIMENSIONS [mm]

| Type | A | B | C | D | F | G | DNM | E |
|-----------------------|-----|-------|-----|-----|-----|-----|--------|----|
| PRIOX 250/8 M | 420 | 122,5 | 235 | 249 | | | 1 1/2" | 63 |
| PRIOX 250/8 M AUT | 420 | 122,5 | 235 | 249 | 550 | 290 | 1 1/2" | 63 |
| PRIOX 300/9 M/T | 420 | 122,5 | 235 | 249 | | | 2" | 63 |
| PRIOX 300/9 M AUT | 420 | 122,5 | 235 | 249 | 550 | 290 | 2" | 63 |
| PRIOX 420/11 M/T | 450 | 122,5 | 235 | 249 | | | 2" | 63 |
| PRIOX 420/11 M AUT | 450 | 122,5 | 235 | 249 | 550 | 290 | 2" | 63 |
| PRIOX 460/13 M/T | 450 | 122,5 | 235 | 249 | | | 2" | 63 |
| PRIOX 460/13 M AUT | 450 | 122,5 | 235 | 249 | 580 | 320 | 2" | 63 |
| PRIOX 50-350/8 M/T | 420 | 122,5 | 235 | 249 | | | 2" | 63 |
| PRIOX 50-350/8 M AUT | 420 | 122,5 | 235 | 249 | 550 | 290 | 2" | 63 |
| PRIOX 50-500/11 M/T | 450 | 122,5 | 235 | 249 | | | 2" | 63 |
| PRIOX 50-500/11 M AUT | 450 | 122,5 | 235 | 249 | 550 | 290 | 2" | 63 |
| PRIOX 50-600/13 T | 450 | 122,5 | 235 | 249 | | | 2" | 63 |
| PRIOX 50-800/18 T | 485 | 122,5 | 235 | 249 | 580 | 320 | 2" | 63 |