



Drainage pumps with “Double-Channel” impeller for pumping waste waters and liquids with suspended solids; ideal for civil and household applications. The single-phase version includes a built-in capacitor, a thermal protector and it can be equipped with a float switch.



Grey water



Black water

Construction features

Pump body cast iron

Shell, motor cover, base support stainless steel



Impeller stainless steel

Mechanical seal double seal with oil chamber: silicon carbide on pump side, ceramic-graphite on motor side

Motor shaft stainless steel AISI 430

Free passage Ø max 50 mm

Max submergence 5 m

Liquid temperature 0 - 40 °C

Cable H07 RN8F, 10 m

G float switch

Motor

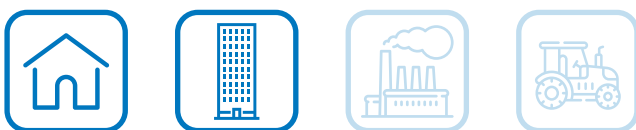
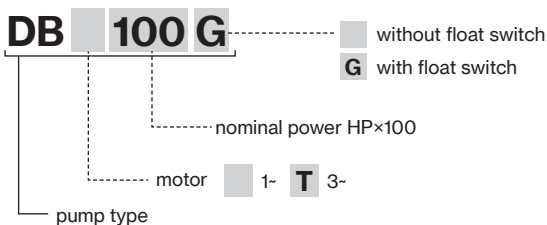
3~ 400V-50Hz

2 Poles induction motor 1~ 230V-50Hz (with thermal protection)

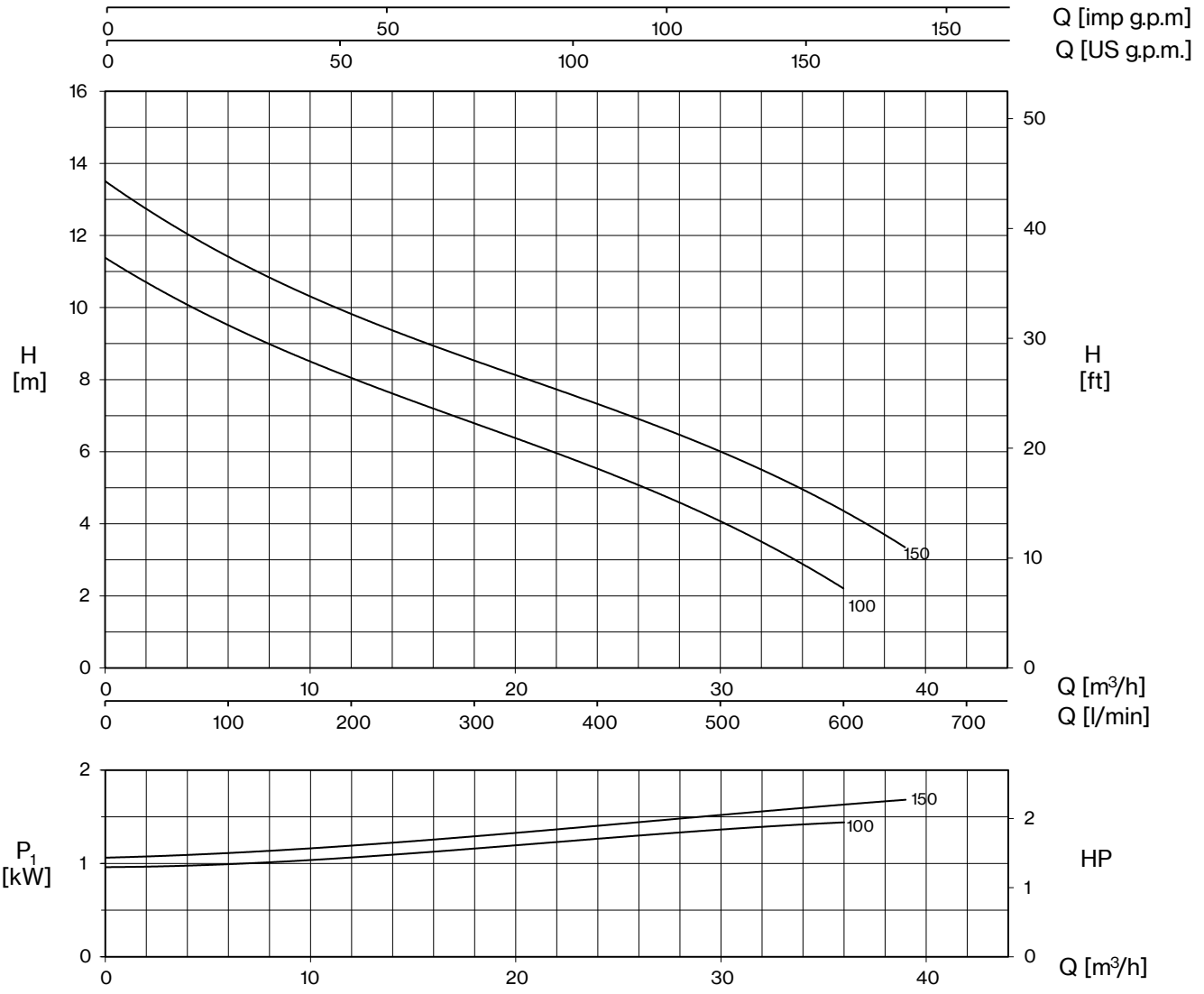
Insulation class F

Protection degree IPX8

| TYPE | LOTS | | | |
|------|-------------|----------|-------------|----------|
| | TRUCK | | CONTAINER | |
| | PALLET (cm) | N° pumps | PALLET (cm) | N° pumps |
| DB | 80×120×160 | 51 | 80×120×160 | 51 |

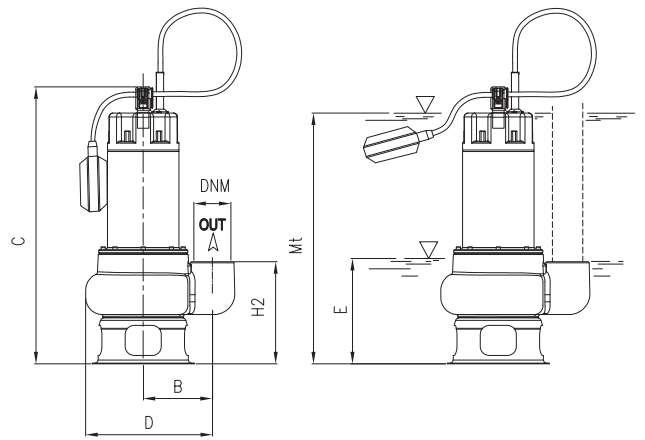


DB



| TYPE | | W | AMPERE | | Q (m³/h - l/min) | | | | | | | |
|------------|---------|------|------------------------|------------------------|------------------|------|-----|-----|-----|-----|-----|-----|
| 1~ | 3~ | | 1~ 1x230 V 50 Hz | 3~ 3x400 V 50 Hz | 0 | 6 | 12 | 18 | 24 | 30 | 36 | 39 |
| | | | | | 0 | 100 | 200 | 300 | 400 | 500 | 600 | 650 |
| H (m) | | | | | | | | | | | | |
| DB 100 (G) | DBT 100 | 1350 | 5,9 | 2,8 | 11,4 | 9,5 | 8,0 | 6,8 | 5,6 | 4,0 | 2,2 | |
| DB 150 (G) | DBT 150 | 1700 | 8,0 | 3,0 | 13,6 | 11,5 | 9,8 | 8,5 | 7,3 | 6,0 | 4,3 | 3,4 |

E: maximum emptying level
Mt: minimum liquid level for continuous duty



| TYPE | DIMENSIONS (mm) | | | | | | | | | | Kg |
|------------|-----------------|-----|-------|-----|-----|-----|------|-----|-----|-----|------|
| | B | C | D | E | H2 | Mt | DNM | I | L | M | |
| DB 100 (G) | 142,5 | 461 | 247,5 | 185 | 170 | 390 | 2" G | 200 | 260 | 470 | 17 |
| DB 150 (G) | 142,5 | 461 | 247,5 | 185 | 170 | 390 | 2" G | 200 | 260 | 470 | 18,5 |

